



## IMPACT Reinforcement

Structural Design Software in Europe AB (StruSoft) is a Swedish innovative software company with more than 25 years of experience in specialized software applications for the building industry.



### FEM-Design

An advanced 3D FEM software for analysis and design of complex structures with concrete, steel and timber elements.



### IMPACT Precast

A BIM software for production of concrete precast elements. Based on AutoCAD® and open database technology.



### IMPACT Reinforcement

An AutoCAD®-based application for detailing and scheduling reinforcement.



### WIN-Statik

A series of powerful, but easy to use applications for common design tasks such as beams, columns or frames.



### VIP

A tool for analysis and calculation of energy consumption for buildings.



StruSofts mission is to increase the overall efficiency in the Building Industry

November 2008

**StruSoft**  
Structural Design Software

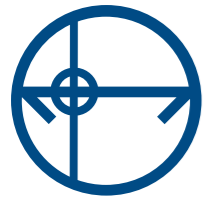
www.strusoft.com

**StruSoft**  
Structural Design Software

www.strusoft.com



Villa Suprême, the head office in Malmö, Sweden



# IMPACT Reinforcement 4

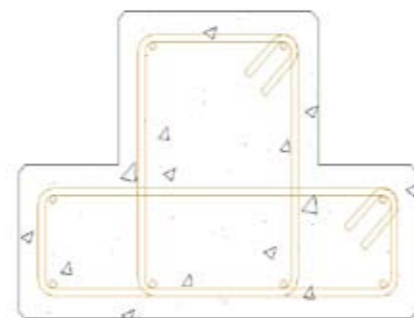
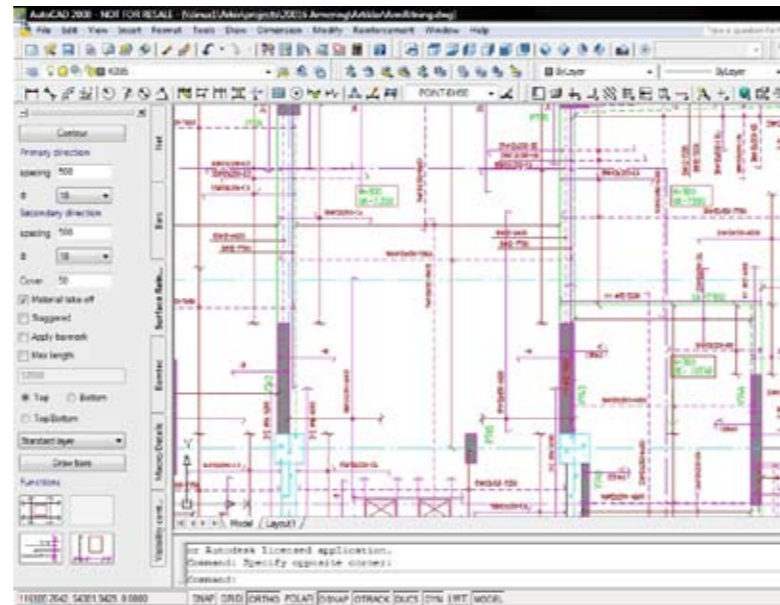
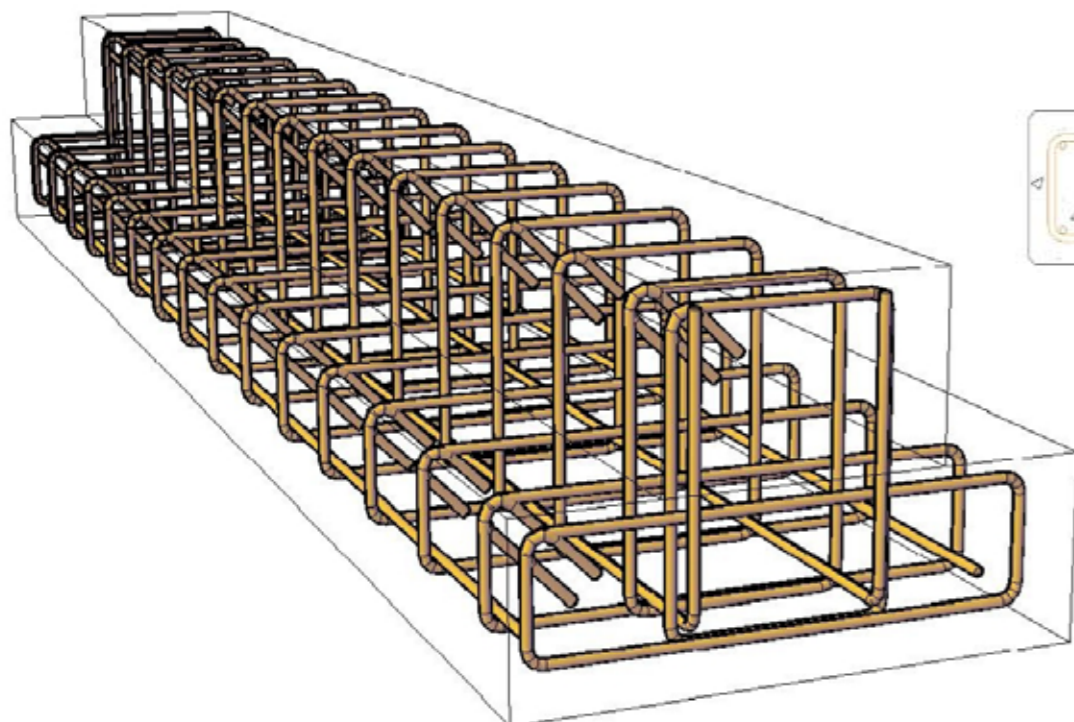
IMPACT Reinforcement is an effective software application for generating intelligent reinforcement drawings and schedules. Integrated into AutoCAD®, the software offers an easy and intuitive way of defining complex reinforcement for concrete structures. Templates can be used to ensure that detailing is presented according to national practice, or users own preferences.

## Control

In IMPACT Reinforcement, data is stored in one place, either by drawing or in a separate database. Using the database means that all project-specific bar numbers, mesh definitions and bending types are easily accessible in every drawing. A definition change of a bar on a plan drawing affects all instances of that bar on all drawings, plan or detail. Reinforcement data is stored every time the drawing is saved, guaranteeing that the schedule is always correct and up to date.

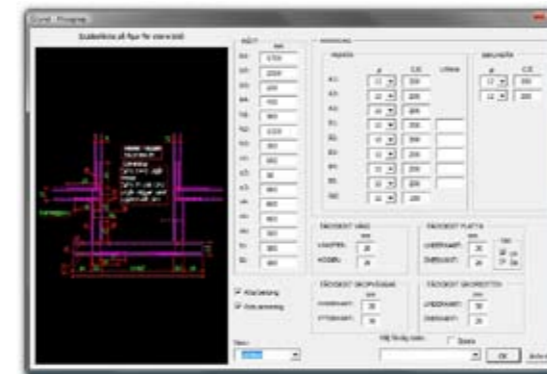
## Flexibility

Reinforcement bars can be displayed in a number of ways, as a 3D object or symbolic representation according to standards or practice.



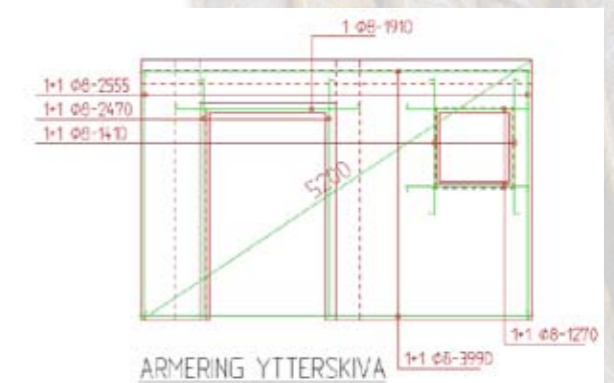
Although IMPACT Reinforcement has templates complying with several national standard practices, the user is free to customize layer definitions, text styles, steel qualities, shape codes, end markings and more. Schedule layout is fully customizable.

The user can define and edit reinforcement in a variety of ways, from complete automated reinforcement proposal of surfaces using the Palette, customizable VBA macros of commonly used constructions, to defining individual bars from a polyline concrete contour. Standard AutoCAD functions such as move, copy, mirror and grip edit can be used on the bars and distribution lines, making it easy for AutoCAD® users to get started.



## IMPACT Precast integration

IMPACT Reinforcement can be used as a standalone application or in combination with IMPACT Precast. With the element geometry and a reinforcement template, IMPACT Precast automatically generates reinforcement proposals for walls and slabs using IMPACT Reinforcement objects.



## Other features

- Batch edit
- Standard and user-defined meshes
- Stirrup meshes
- Create and export roll-out reinforcement (Bamtec®)
- Export to formats for cut and bend. (BVBS, Q-spec)
- Automated splicing function
- Varying leg lengths